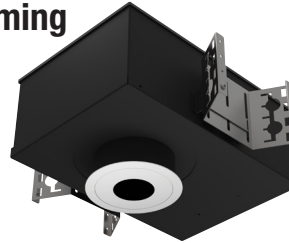


3" acrobat LED Pinhole Downlight - Warm Dimming

IC/CCEA New Construction Housing

Round or Square / Trimmed or Trimless



Wattage	CCT	Delivered Lumens	Efficacy
10W	1850 - 3000K	680lm	68lpw
15W	1850 - 3000K	945lm	63lpw

Lumens will vary depending on CCT, optic & lens option

Description

- Acrobat Air Tight IC/Chicago Plenum downlight delivers over 900lm through a 3" aperture with four optical distributions. Delivered lumens are maintained in different ceiling thicknesses.
- Drivers are accessible from below the ceiling.

LED Light Engine

Warm dimming LED technology provides the natural sensation of circadian rhythm.

Field Replaceable Dimming Driver

- Power factor > 0.9, 50/60Hz
- Multiple dimming drivers available
- Complies with IEEE62.41 surge protection

Housing

18 gauge galvanized steel housing and junction box with 1/2" trade size knockouts. Includes universal butterfly brackets to accommodate C-Channel, adjustable bar hangers, and EMT. C-Channel is recommended for T-bar ceilings and must be ordered separately. Adjustable wood joist bar hangers are included. Max. ambient temperature: 104°F (40°C)

Ceiling Thickness

- Accommodates ceiling thickness from 1/2" to 1-1/2" (Extended 2" collar available, must specify)
- Delivered lumens are maintained through entire range

Trim Style

- Die-cast aluminum pinhole trim with powder coat finishes, consult factory for custom finishes
- Trimless mud plate and wood ceiling option available

Accessories

Accommodates (2) accessories, a media holder is required. Accessories are not compatible when used with lensed trim.

Emergency

Remote inverter operates for 90 minutes with remote test switch available, requires above ceiling access.

Listing/Warranty

- Patent pending
- Five (5) year limited warranty
- UL listed to US and Canadian standards for damp locations
- UL listed to US and Canadian standards for wet locations when used with lens
- Meets ASTM E283 standards
- CCEA approved - Chicago rated



Housing Order Matrix (Example: A3-IC15S-R00-LCB-24)

Type	Wattage	Driver	Aperture	Trim Style	Rev	Extended Collar	Hanger Bar
A3-IC (IC/CP)	10 (10W) 15 (15W)	S' (ERP, Universal Dim, Triac/ELV/0-10V 10% 120-277V)	-R (Round) -S (Square)	(blank) (Flanged)	00	(blank) (Standard 1-1/2") -2 (Up to 2")	(blank) (Standard)
		L1 (Lutron Hi-lume® 2-Wire 1% 120V)		TL (Trimless)			-LCB-24 (24" C-Channel)
	L2 (Lutron EcoSystem® 5% 120-277V)	WC (Wood Ceiling)	-LCB-48 (48" C-Channel)				
	L3 (Lutron Hi-lume® Fade-to-Black 1% 120-277V)						
	EL1 (eldoLED DALI 1% 120-277V)						
	EL2 (eldoLED 0-10V 1% 120-277V)						
	DMX (DMX 1% 120-277V)						
	LR1 (Remote Lutron Hi-lume® 2-Wire 1% 120V)						
	SR1' (Remote ERP, Universal Dim, Triac/ELV/0-10V 10% 120-277V)						

1. Forward and reverse phase dimming at 120V only
All drivers are accessible from below the ceiling

Trim Order Matrix (Example: A3-RWH-WHWD30-NL-00)

Trim	Aperture	Reflector Finish	Flange Finish	LED Light Engine	Optic	Lens Type	Rev
A3-3	R (Round) S (Square)	WH (White)	(blank) (Trimless / Wood Ceiling)	WD (Warm Dim)	10 (Spot)	-NL (No Lens - damp location)	-00
		BL (Black)	-WH (White)		30 (Narrow Flood)	-FR (Frosted - wet location)	
	SA (Satin Aluminum)	-BL (Black)	50 (Flood)		-MP (Solite - wet location)		
	BZ (Bronze)	-SA (Satin Aluminum) -BZ (Bronze)	80 (Wide Flood)		-CL (Clear - wet location)		

Accessories (Note: Media holder required)

A3-MHLDR (Media Holder- required)
A3-HEX (Hex Louver)
A3-FR (Frosted Lens)
A3-MP (Solite Lens)
A3-CL (Clear Lens)
A3-LS (Linear Spread Lens)

Optics

A3-10-OPTIC (10° Spot)
A3-30-OPTIC (30° Narrow Flood)
A3-50-OPTIC (50° Flood)
A3-80-OPTIC (80° Wide Flood)

Emergency

EM-1000 (25W LED Remote Inverter)
EM-1002 (10W LED Remote Emergency Driver)
EM-1003 (35W LED Remote Inverter)
EM-1004 (50W LED Remote Inverter)

3" acrobat LED Pinhole Downlight - Warm Dimming

IC/CCEA New Construction Housing

Round or Square / Trimmed or Trimless

Catalog #:

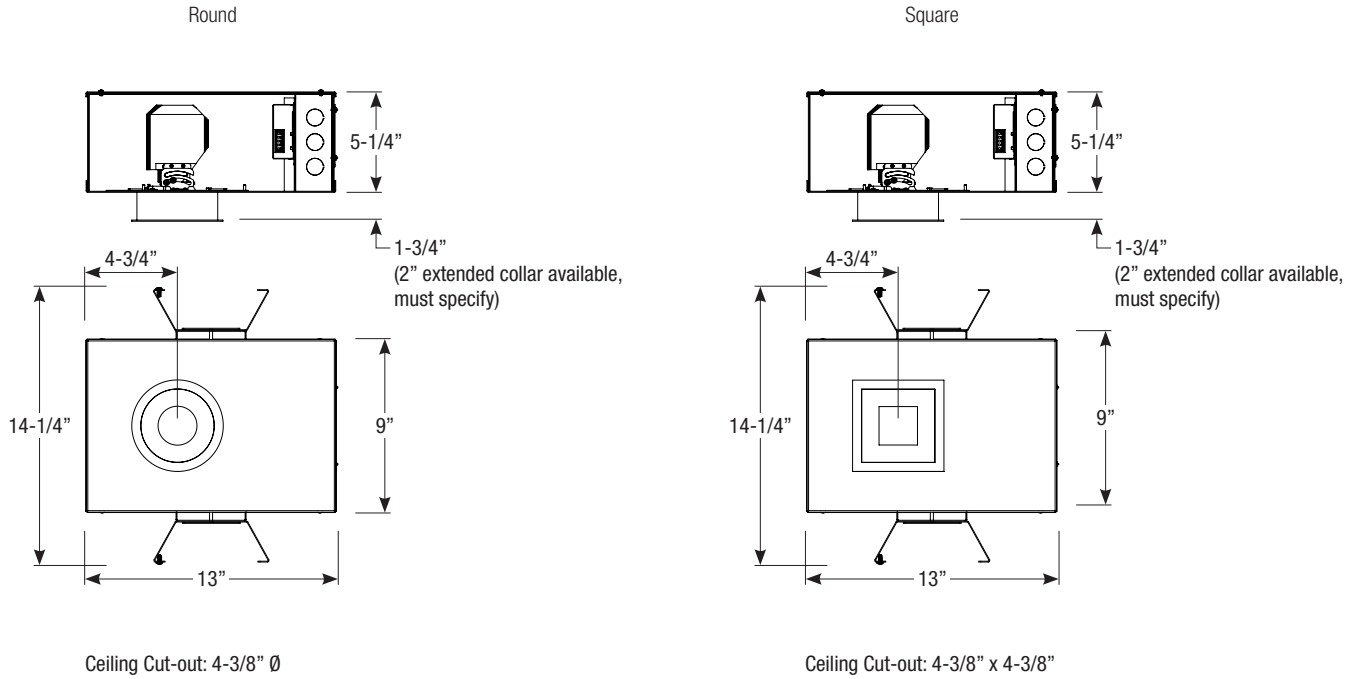
Type:

Project:

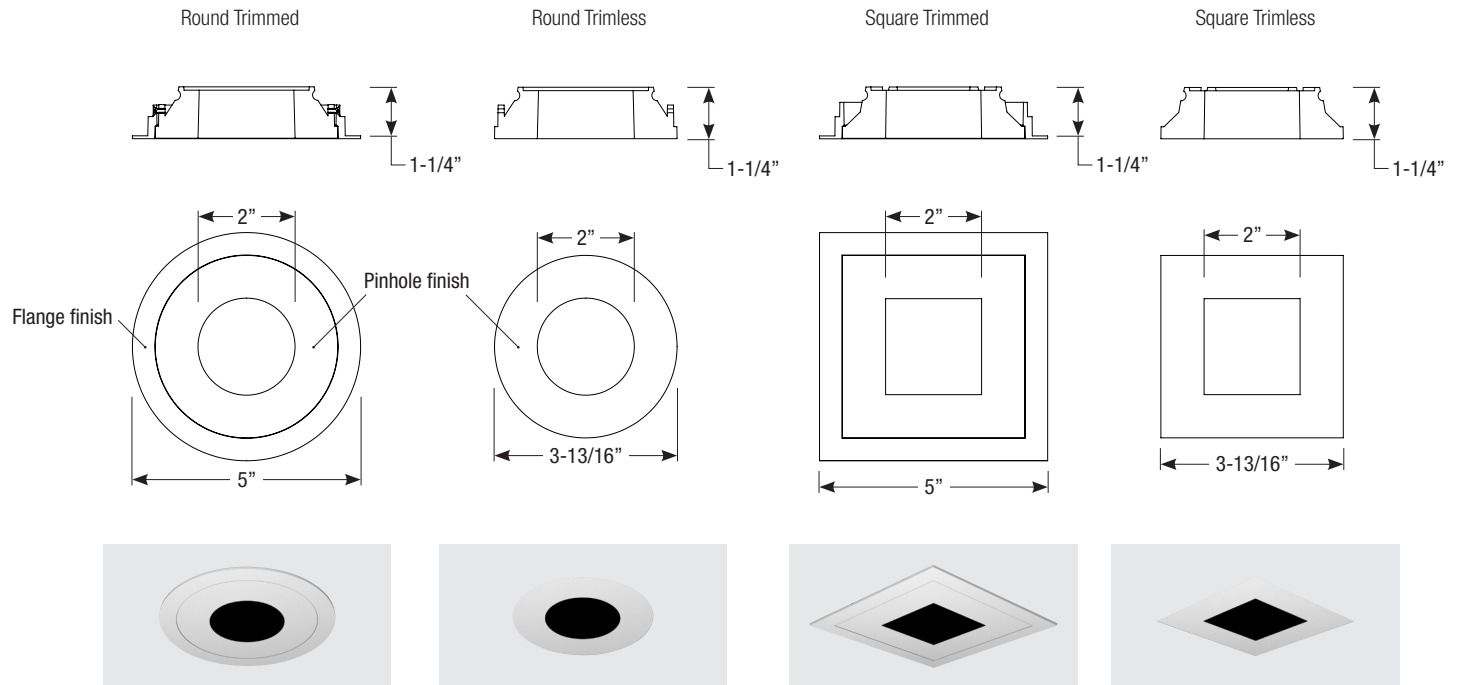
Date:

Notes:

Housing Dimensions



Trim Dimensions



Spec-00122 Revised 04/27/2020